



# Wasp H.P.

## Parts Manual

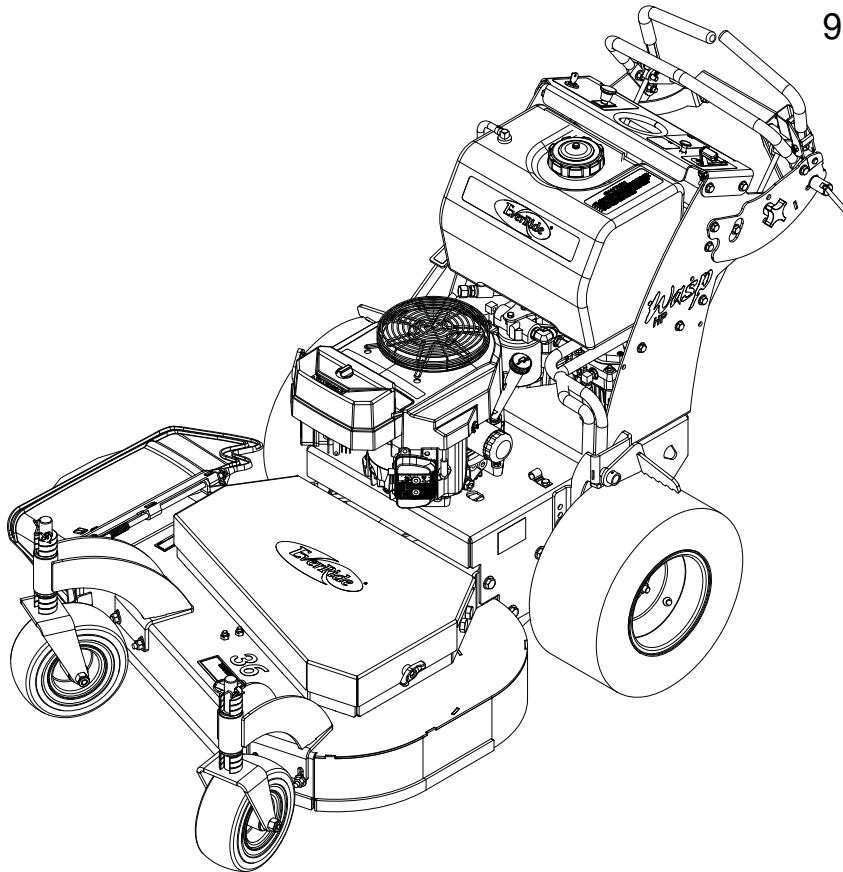
---

### Models

98840000 - EHWKA1536S

98840200 - EHWKA1952S

98840300 - EHWKA1948S



GB ENGLISH

03751903 3/09  
Printed in USA

## THE MANUAL

---

Before you operate your unit, carefully and completely read manuals supplied with the unit. The contents will provide you with an understanding of safety instructions and controls during normal operation and maintenance.

For your safety and the safety of others always read, understand, and follow all DANGER, WARNING, and CAUTION messages found in manuals and on safety decals.

Hardware descriptions are given in decimals.

Decimals to Fractions			
.063	1/16	.563	9/16
.125	1/8	.625	5/8
.188	3/16	.688	11/16
.250	1/4	.750	3/4
.313	5/16	.813	13/16
.375	3/8	.875	7/8
.438	7/16	.938	15/16
.500	1/2	1.00	1

## SERVICE AND REPLACEMENT PARTS

---

When ordering replacement parts or making service inquiries, know the Model and Serial numbers of your unit and engine.

Numbers are located on the product registration card in the unit literature package. They are printed on a serial number label, located on the frame of your unit.

• Record Unit Model and Serial numbers here:

• Record Engine Model and Serial numbers here:

## UNAUTHORIZED REPLACEMENT PARTS

Use only EverRide replacement parts. The replacement of any part on this vehicle with anything other than a EverRide authorized replacement part may adversely affect the performance, durability, or safety of this unit and may void the warranty. EverRide disclaims liability for any claims or damages, whether warranty, property damage, personal injury or death arising out of the use of unauthorized replacement parts.

## PRODUCT REGISTRATION

---

The EverRide dealer must register the product at the time of purchase. Registering the product will help the company process warranty claims or contact you with the latest service information. All claims meeting requirements during the limited warranty period will be honored, whether or not the product registration card is returned. Keep a proof of purchase if you do not register your unit.

**Customer Note:** If Dealer does not register your product, please fill out, sign and return the product registration card to Gravelly or go to [www.everride.com](http://www.everride.com).

## YOUR SATISFACTION IS IMPORTANT

---

**Questions? Please follow these helpful steps:**

1. Refer to the manuals supplied with your unit.  
They will guide you through safe and proper operation and maintenance.  
They contain specifications on your unit.  
If your questions are not answered in these manuals, go to step number two.
2. Contact Your Dealer.  
Our dealers will be happy to supply any service or advice required to keep your unit operating at peak efficiency.  
A factory trained staff is available to support your equipment needs. They stock genuine EverRide parts and lubricants manufactured with the same precision and skill as the original.  
If your questions are not resolved by the support staff, ask for the manager or owner.  
When contacting your Dealer supply your model and serial numbers.

## TO SPEED PARTS ORDERING:

1. Know the model and serial numbers of your unit.
2. Know the part number required.
3. Know the quantity required.
4. Know the part description.

## MODELS

---

### Domestic

#### Model 98840000 (EHWKA1536S)

15HP Kawasaki with 36-Inch Mower Deck  
Serial No. 000101 and up

#### Model 98840200 (EHWKA1952S)

19HP Kawasaki with 52-Inch Mower Deck  
Serial No. 000101 and up

#### Model 98840300 (EHWKA1948S)

19HP Kawasaki with 48-Inch Mower Deck  
Serial No. 000101 and up

## TABLE OF CONTENTS

---

### DECALS

---

Decals-Safety . . . . .	4
Decals-Style . . . . .	5

### MAIN FRAME

---

Oil Drain and Deck Connection . . . . .	6
Frame Assembly . . . . .	8

### POWER UNIT

---

Pump Assembly . . . . .	10
Transmission . . . . .	12
Traction Control . . . . .	14

### CONTROLS

---

Handlebar/Console Assembly . . . . .	16
Fuel Tank Assembly . . . . .	18
Upright Assembly . . . . .	20

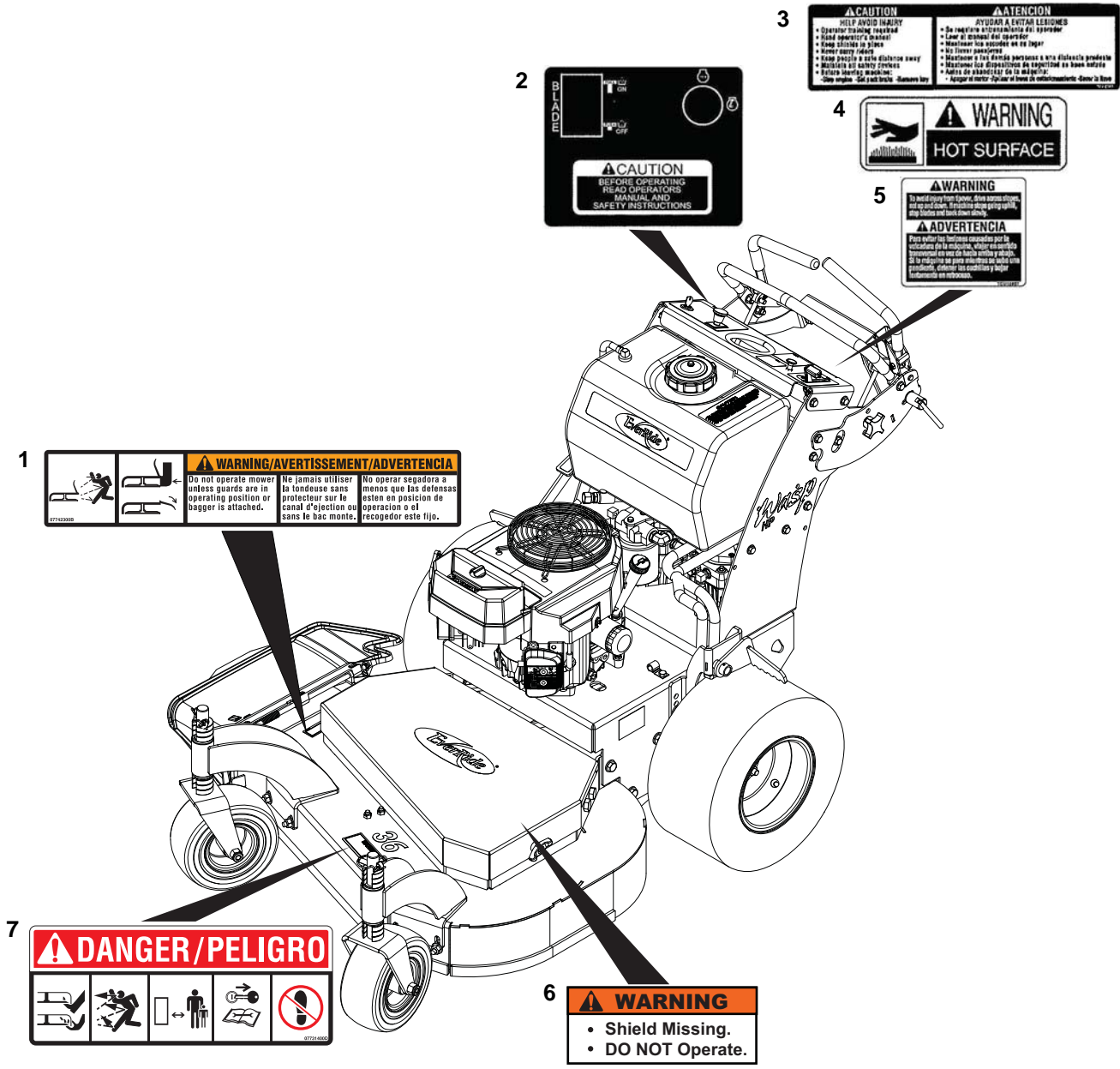
### MOWER DECKS

---

36" Deck Assembly . . . . .	22
48" Deck Assembly . . . . .	24
52" Deck Assembly . . . . .	26
Spindle Assembly . . . . .	28

# DECALS-SAFETY

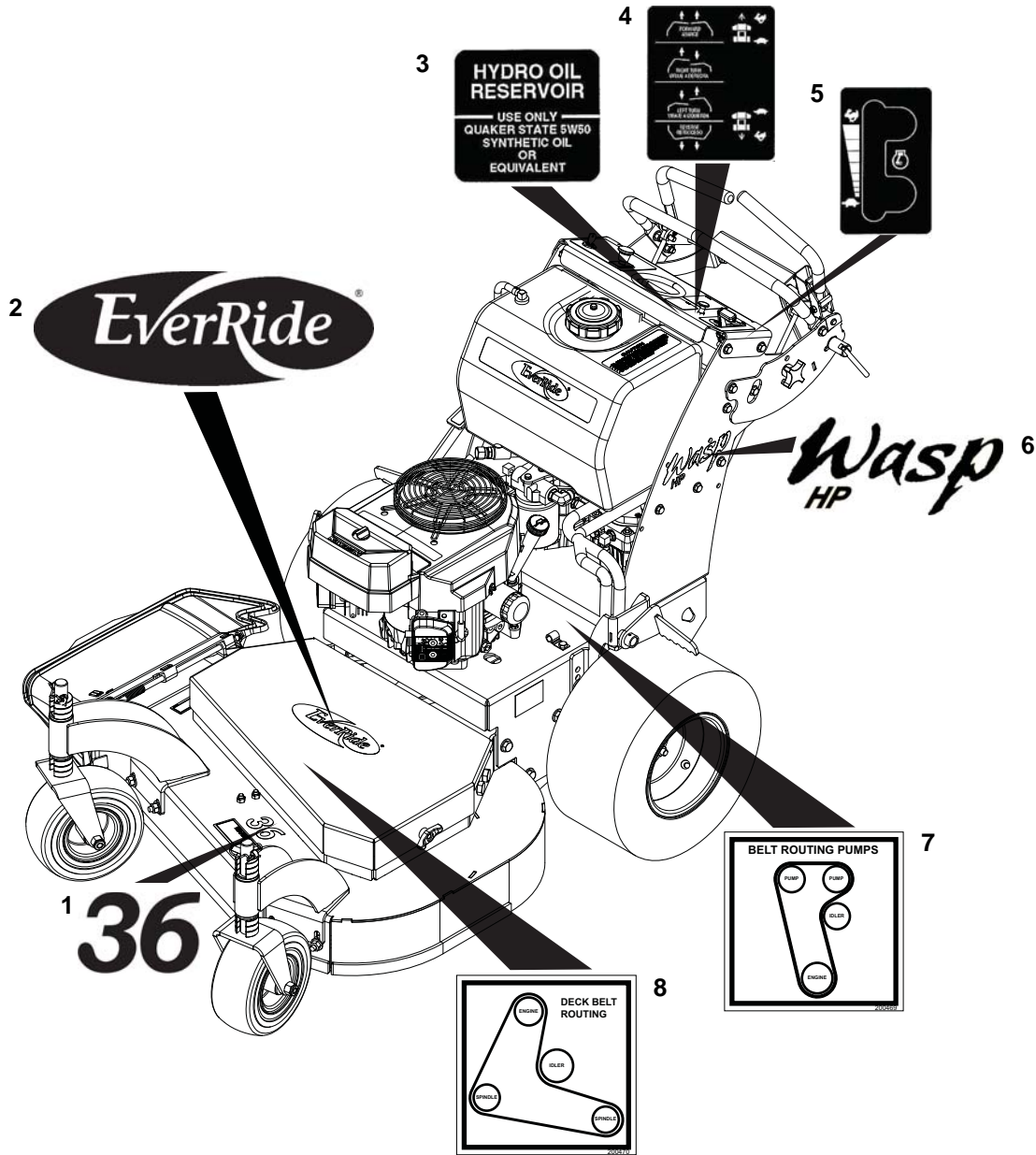
Model 988400, 402, 403



Item	Part No.	Qty.	Description
1	07742300	1	Decal, Warning
2	TCU16481	1	Decal, PTO and Key Switch
3	TCU14840	1	Decal, General Caution
4	M117554	1	Label, Warning (Hot Surfaces)
5	TCU15907	1	Decal, Warning-Slope
6	00160169	1	Decal, Warning-Shield
7	07731400	1	Decal, Mower Pan Danger

# DECALS-STYLE

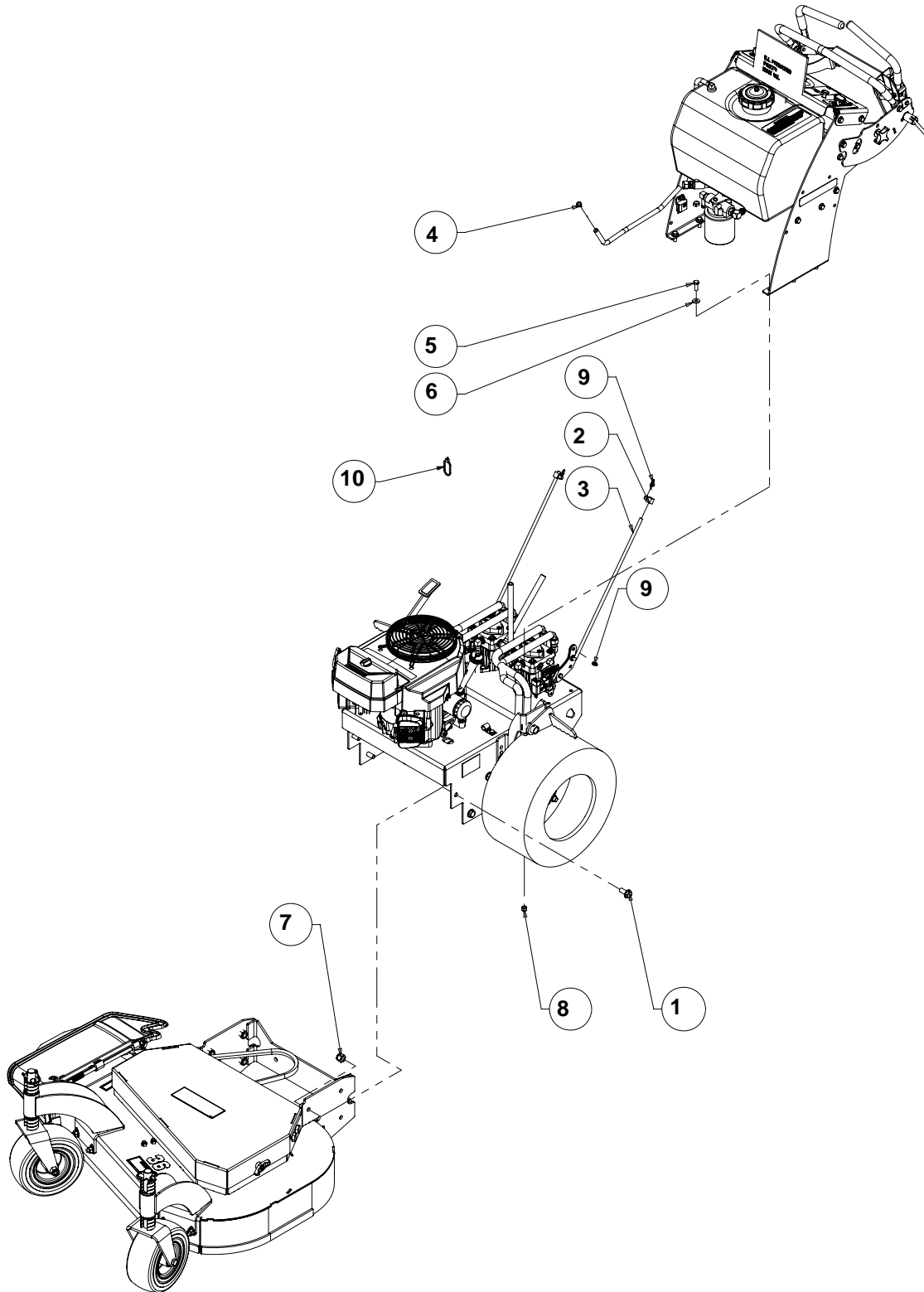
Model 988400, 402, 403



Item	Part No.	Qty.	Description
1	00170138	1	Decal, Deck 36" (400)
	00191369	1	Decal, Deck 48" (403)
	00191370	1	Decal, Deck 52" (402)
2	00180954	1	Decal, EverRide Logo 9"
3	D18023	1	Decal, Hydro Oil Specs.
4	TCU15910	1	Decal, Directional Control
5	D18021	1	Decal, Throttle
6	00200472	1	Decal, Wasp HP
7	00200469	1	Decal, Pump Belt Routing
8	00200470	1	Decal, 36" Deck Belt Routing (400)
	00200471	1	Decal, 48" Deck Belt Routing (403)
	07700009	1	Decal, 52" Deck Belt Routing (402)

# OIL DRAIN AND DECK CONNECTION

Model 988400, 402, 403



# OIL DRAIN AND DECK CONNECTION

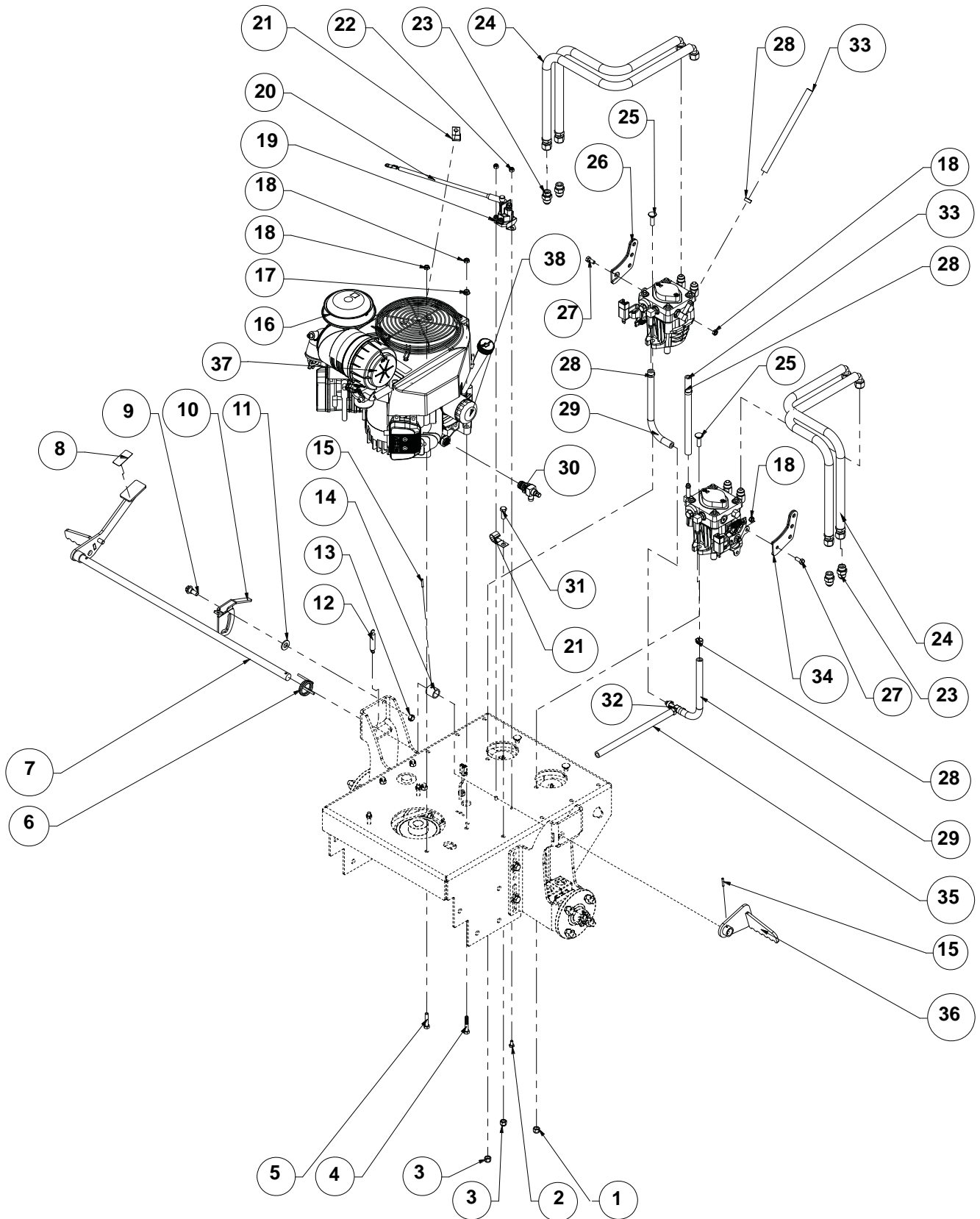
---

Model 988400, 402, 403

ITEM	PART NO	QTY	DESCRIPTION
1	D14110	8	Bolt, .50-13 x 1.25
2	D33002	2	Swivel, .38-24
3	D38025	2	Rod, Drive Control
4	00130924	1	Clamp, Hose - 1/2" Spring
5	00960046	6	Bolt, .38-16 x 1.00 Hex 5
6	00960701	6	Washer, .313 Reg Flat
7	00964015	8	Locknut, .50-13 Nyloc
8	00968087	6	Locknut, .38-16 Nyloc
9	00967353	4	Ring, Rue .375 x .054 x 1.254
10	00111910	2	Cable Tie, .15 x 8.50

# FRAME ASSEMBLY

Model 988400, 402, 403





# FRAME ASSEMBLY

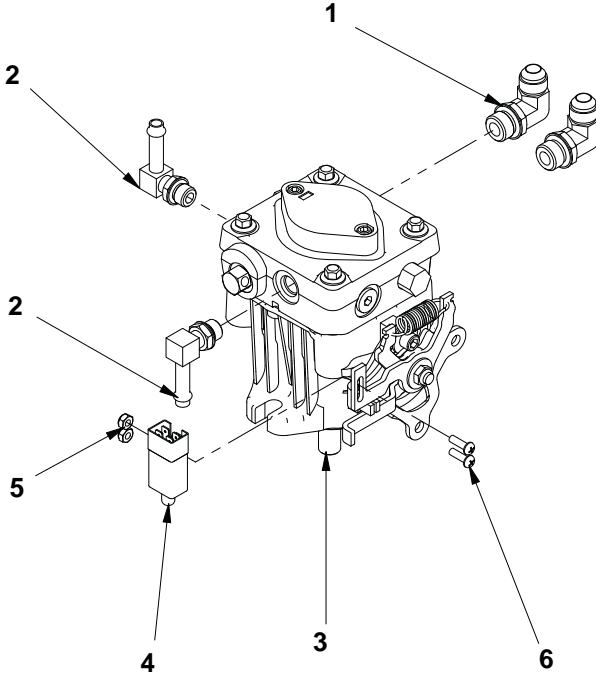
**Model 988400, 402, 403**

ITEM	PART NO	QTY	DESCRIPTION
1	00968087	10	Locknut, .38-16 Nyloc
2	00960000	2	Bolt, Hex .25-20 x .500 Grade 5 (402, 403)
3	00968087	10	Locknut, .38-16 Nyloc
4	00960026	1	Bolt, .3125-18 x 1.75 Hex 5
5	00960025	2	Bolt, .3125-18 x 1.50 Hex 5
6	D18138	1	Spring, RH Torsion Parking Brake
7	03763951	1	Weldment Brake System, By Bracket (400, 403)
	03780851	1	Weldment Brake System, WD By Bracket (402)
8	00200401	1	Tape, Traction- 1.00 x 2.00
9	00135139	1	Bolt, .50 x 1.06 x .38-16 SLD 5
10	03763851	1	Latch, Brake CBMB
11	00964505	1	Washer, .500 x 1.00 x .105 Flat
12	D18140	1	Spring
13	00964062	1	Locknut, .38-16 Center
14	03749151	1	Bushing, 1.00 x .188 x 1.00
15	34H60	2	Pin, Spring
16	00200675	1	Engine, Kawasaki 19HP FH580V (402, 403)
	00200342	1	Engine, Kawasaki 15HP Vertical (400)
17	00964019	1	Locknut, .3125-18 WHIZ
18	00967115	8	Locknut, .3125-18 Nyloc
19	03551000	1	Solenoid (402, 403)
20	00180842	1	Cable, 12" Starter (402, 403)
21	AH89557	2	Pillow-Clip, .500 Insulated
22	00964048	2	Locknut, .25-20 Nyloc (402, 403)
23	D14197	4	Fitting, Straight
24	00201091	4	Hose, Hydraulic .50 x 26 .50 EZFLEX
25	00963053	4	Bolt, Round Head Square Neck .38-16 x 1.25
26	03732751	1	Weldment, CSWS Hydro Pump Arm
27	00960022	4	Bolt, .3125-18 x .750 Hex 5
28	D18379	7	Clamp, Hose- .50 Pinch
29	00200455	2	Hose, Hydraulic .38 x 6.00
30	TCA16240	1	Fitting, Oil Drain
31	00960046	4	Bolt, .38-16 x 1.00 Hex 5
32	M86863	1	Fitting, TUN .38 Hose
33	03832600	2	Hose, Hydraulic .38 x 9.5
34	03754851	1	Weldment, CSWS Left Hand Hydro Pump Arm
35	03832601	1	Hose, Hydraulic .38 x 11.00
36	03393951	1	Weldment, Left Hand Brake Arm
37	00186700	1	Air Filter (400, 403)
	03748502	1	Air Filter (402)
38	00181073	1	Oil Filter
<b>NOT SHOWN:</b>			
39	00186800	1	Spark Plug
40	21538400	1	Fuel Filter

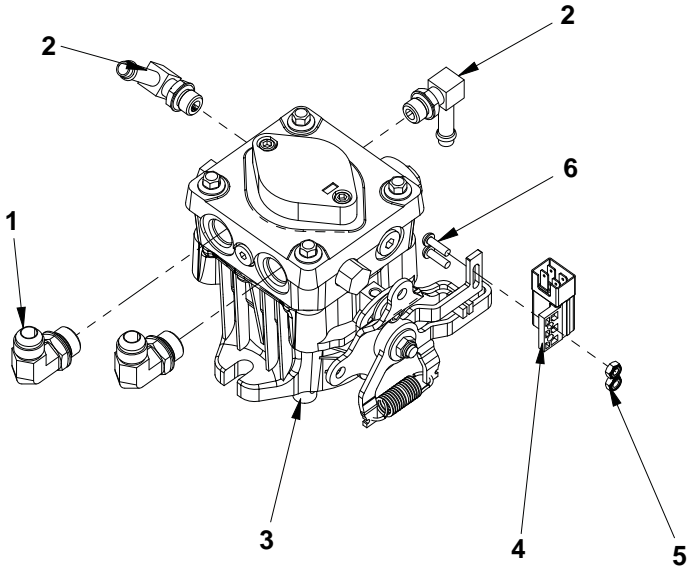
# PUMP ASSEMBLY

Model 988400, 402, 403

LH PUMP



RH PUMP



# PUMP ASSEMBLY

---

Model 988400, 402, 403

## LH PUMP

ITEM	PART NO	QTY	DESCRIPTION
1	D14196	2	Fitting
2	D24028	2	Fitting, 90 .5625 MOR x .38 HOSE
3	TCA14965	1	Pump, Hydraulic
4	00191256	1	Switch, Plunger Diametral Pitch
5	00964013	2	Locknut, 10-24 Nyloc
6	00967340	2	Screw, 10-24 x .625 Pan PHL MACY

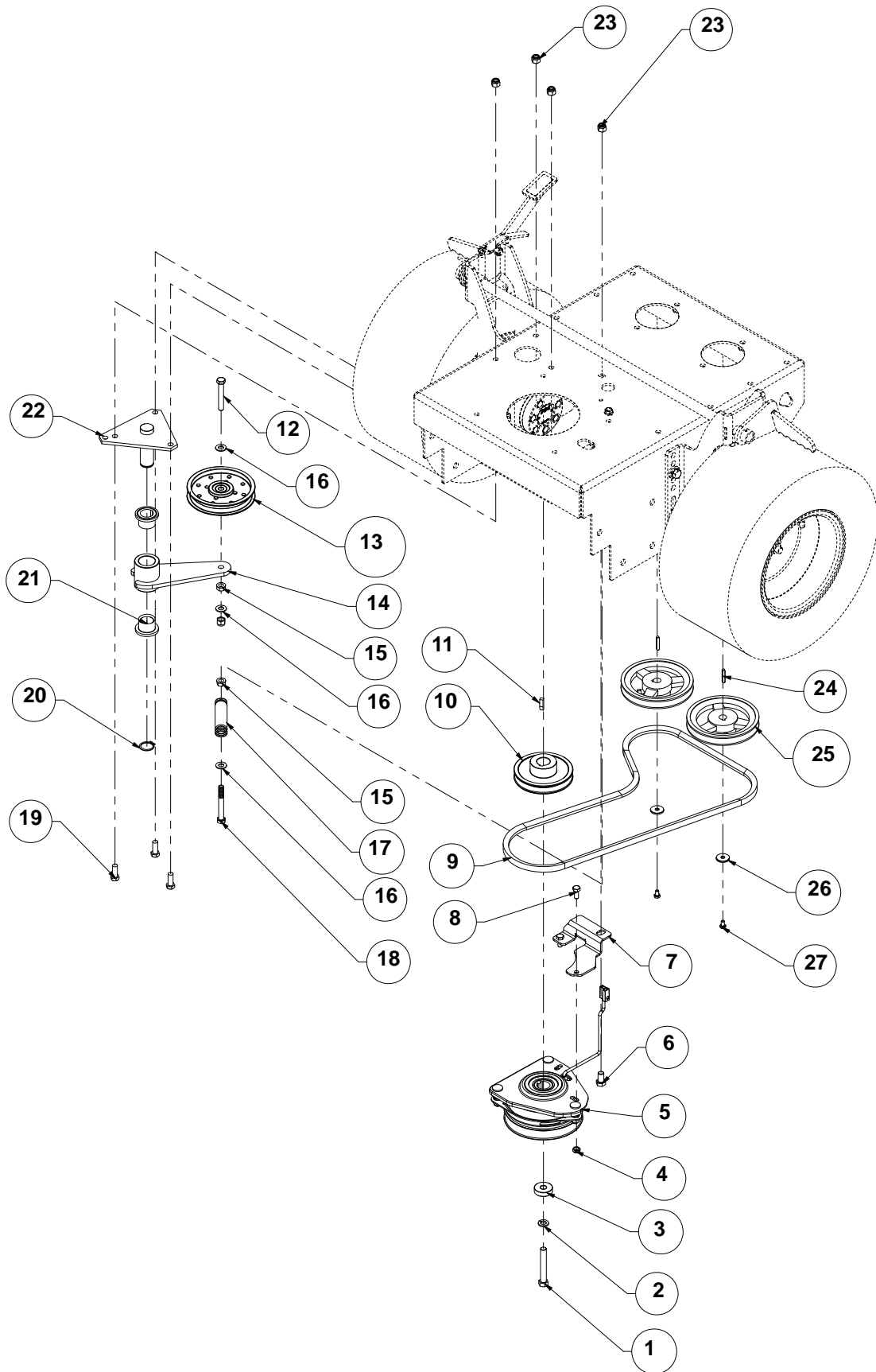
---

## RH PUMP

ITEM	PART NO	QTY	DESCRIPTION
1	D14196	2	Fitting
2	D24028	2	Fitting, 90 .5625 MOR x .38 HOSE
3	TCA14966	1	Pump, Hydraulic
4	00191256	1	Switch, Plunger Diametral Pitch
5	00964013	2	Locknut, 10-24 Nyloc
6	00967340	2	Screw, 10-24 x .625 Pan PHL MACY

# TRANSMISSION

Model 988400, 402, 403



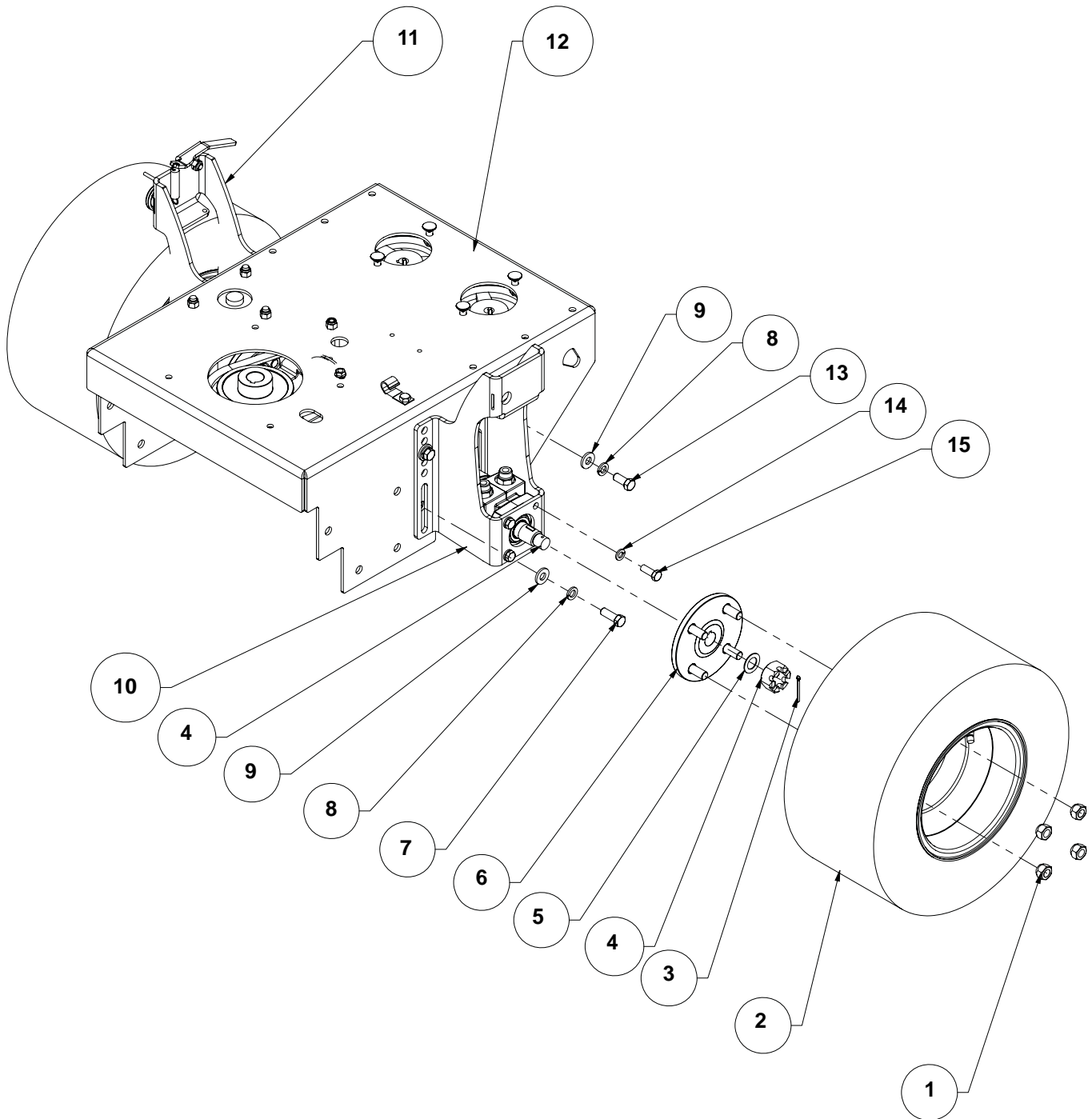
# TRANSMISSION

Model 988400, 402, 403

ITEM	PART NO	QTY	DESCRIPTION
1	D14252	1	Bolt, .4375-20 x 3.00 Hex 5
2	00960603	1	Washer, .438 Medium Spring Lock
3	D18056	1	Spacer, .468 x 1.38 x .375
4	00967115	2	Locknut, .3125-18 Nyloc
5	00200665	1	Clutch Assembly, OGURA
6	00960078	1	Bolt, .4375-14 x .750 Hex 5
7	00203840	1	Plate, Clutch Dog
8	00960022	2	Bolt, .3125-18 x .750 Hex 5
9	D38006	1	Belt, HA 55.1 Elbow AMD OHR
10	D18085	1	Pulley, V-Belt 4.45 x 1.00 with Key
11	D18145	1	Key, .250 x .250 x .995 TPR
12	00960052	1	Bolt, .38-16 x 2.50 Hex 5
13	GDA10032	1	Pulley, Flat 4.50 x .375 W/BRG
14	D15032	1	Weldment, Idler Arm
15	00964016	2	Locknut, .38-16 Whiz
16	00964501	3	Washer, .406 x .813 x .065 Flat
17	D18071	1	Spring, External .900 x .135 x 4.50
18	00967112	1	Bolt, .38-16 x 3.00 Hex 8
19	00960046	3	Bolt, .38-16 x 1.00 Hex 5
20	00424390	1	Snap Ring, 1.00 x .042 External
21	D18076	2	Bearing, Flange 1.00 x 1.25 x 1.00
22	00203918	1	Weldment, Idler Pivot Mount
23	00968087	10	Locknut, .38-16 Nyloc
24	00966058	2	Key, M5 x M5 x M30 RD
25	TCA15316	2	Assembly, Pump Pulley w/Set Screw
26	D14160	2	Washer, .250 Wide Heavy Flat
27	00967041	2	Bolt, M6 x 1.00 x 10 Hex 8.8

# TRACTION CONTROL

Model 988400, 402, 403



# TRACTION CONTROL

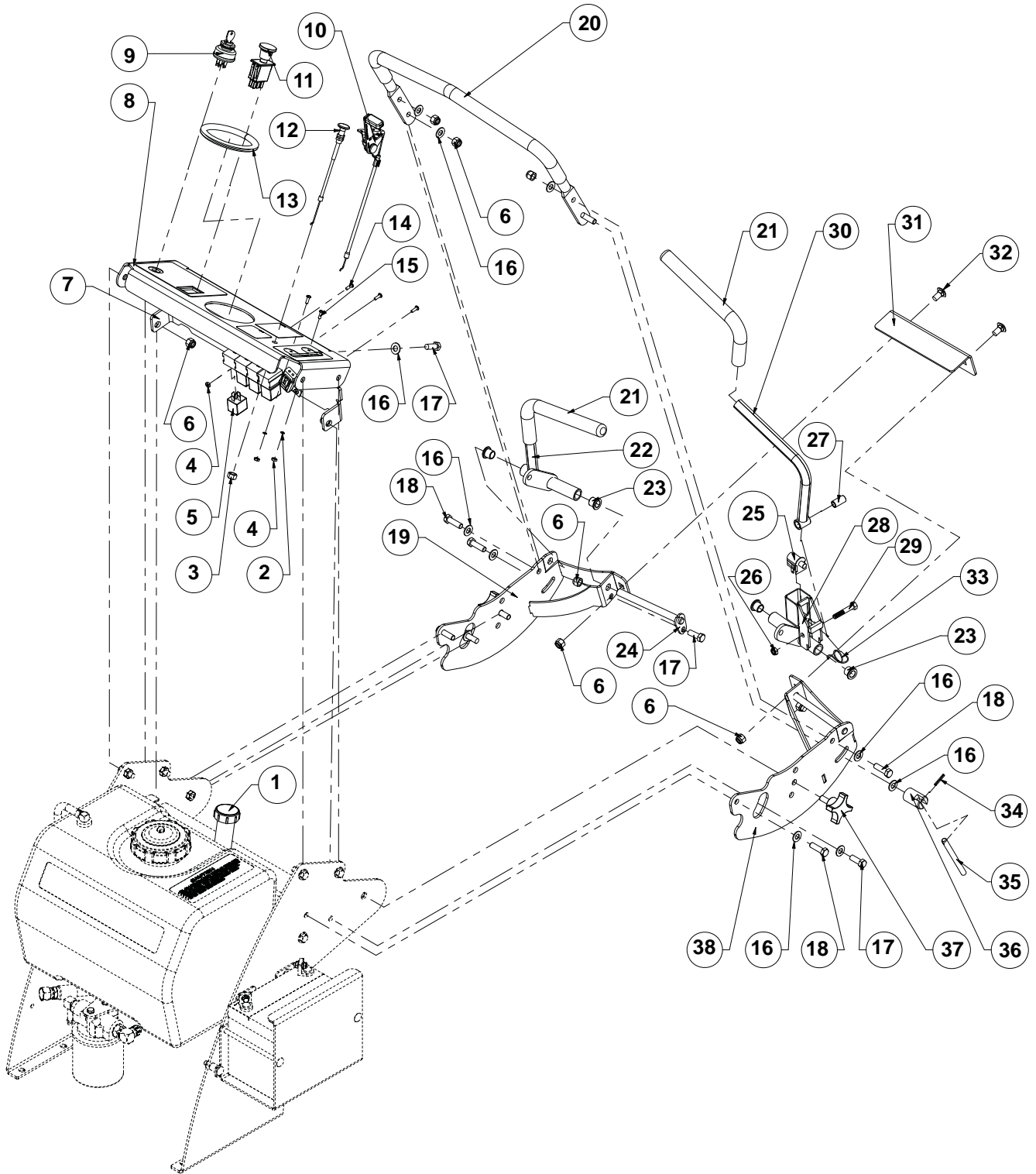
---

Model 988400, 402, 403

ITEM	PART NO	QTY	DESCRIPTION
1	00960526	8	Nut, .50-20 Lug
2	00200531	2	Assembly, Wheel and Tire- 16 x 6.5-8
3	00962019	2	Pin, Cotter .125 x 1.50 EXTP
4	D18311	2	Motor, Hydraulic Wheel
5	00150052	2	Bushing, Machine .750 x 1.25 x .048
6	00203842	2	Assembly, Wheel Hub
7	00960080	4	Bolt, .4375-14 x 1.25 Hex 5
8	00960603	8	Washer, .438 Medium Spring Lock
9	00960712	8	Washer, .468 x 1.00 x .125 Flat
10	03780361	1	Bracket, Left Hand Combo WD EverRide (402)
	03763661	1	Bracket, Left Hand Comb EverRide (400, 403)
11	03780561	1	Bracket, Right Hand Combo WDEverRide (402)
	03763761	1	Bracket, Right Hand Comb EverRide (400, 403)
12	03754953	1	Weldment, Engine Plate TDF EverRide
13	00960079	4	Bolt, .4375-14 x 1.00 Hex 5
14	00960602	8	Washer, .375 Medium Spring Lock
15	D14280	8	Bolt, .38-16 x 1 Grade 8 Black

# HANDLEBAR/CONSOLE ASSEMBLY

Model 988400, 402, 403





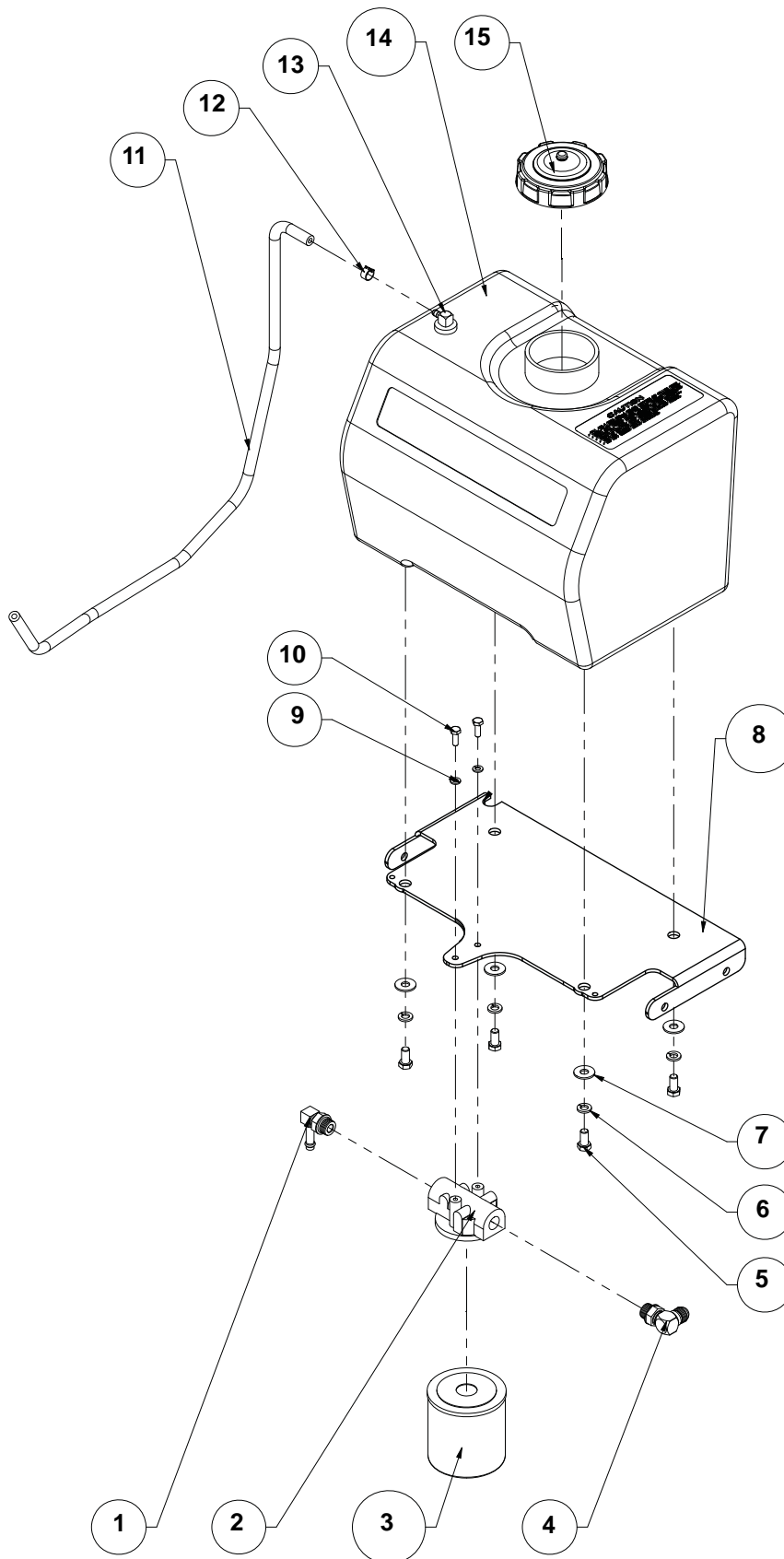
# HANDLEBAR/CONSOLE ASSEMBLY

Model 988400, 402, 403

ITEM	PART NO	QTY	DESCRIPTION
1	D18333	1	Cap, Oil Fill Breather
2	00967038	2	Washer, #8 Medium Spring Lock
3	00967054	1	Nut, .38-24 Standard Hex
4	00967037	5	Nut, 8-32 Standard Hex
5	00102770	4	Relay, ISO Mini Electric
6	00968087	15	Locknut, .38-16 Nyloc
7	00200409	1	Weldment, Handle Brace
8	D32054	1	Console, Loop Handle Hydro
9	00180620	1	Switch, Key- 3 Position
10	00200413	1	Cable, Throttle 49.5"
11	00136574	1	Switch, PTO Engagement
12	00180273	1	Cable, Choke 48.0"
13	00170900	1	Trim, Rubber Edge 12"
14	D24020	3	Screw, 8-32 x .50
15	00967036	2	Screw, 8-32 x .500 Round Head Machine
16	00964501	25	Washer, .406 x .813 x .065 Flat
17	00960046	18	Bolt, .38-16 x 1.00 Hex 5
18	00960047	5	Bolt, .38-16 x 1.25 Hex 5
19	00203886	1	Weldment, Right Hand Control Mount
20	D38026	1	Handle, Loop Hydro
21	D18093	2	Grip, Control
22	00203897	1	Weldment, Right Hand Drive Lever
23	D18013	4	Bearing, Flange .500 x .625 x .500
24	00203893	2	Weldment, Pin and Lock
25	AM103119	1	Switch, Seat Override
26	00967115	7	Locknut, .3125-18 Nyloc
27	D33004	1	Spacer, .500 x .330 x .980
28	00203898	1	Weldment, Left Hand Handle Mount
29	00960026	1	Bolt, .3125-18 x 1.75 Hex 5
30	00203902	1	Weldment, Left Hand Drive Lever
31	00203882	1	Drive Arm Back Plate
32	00963033	2	Bolt, .38-16 x .750 Round Head Square Neck
33	D38003	1	Spring, Torque 1.00 x .062
34	34H60	1	Pin, Spring
35	D13309	1	Lever, Lock Y Assembly
36	D13308	1	Lever, Lock Y Assembly
37	D18047	2	Knob, Star .38-16 x 1.00
38	00203885	1	Weldment, Left Hand Control Mount

# FUEL TANK ASSEMBLY

Model 988400, 402, 403



# FUEL TANK ASSEMBLY

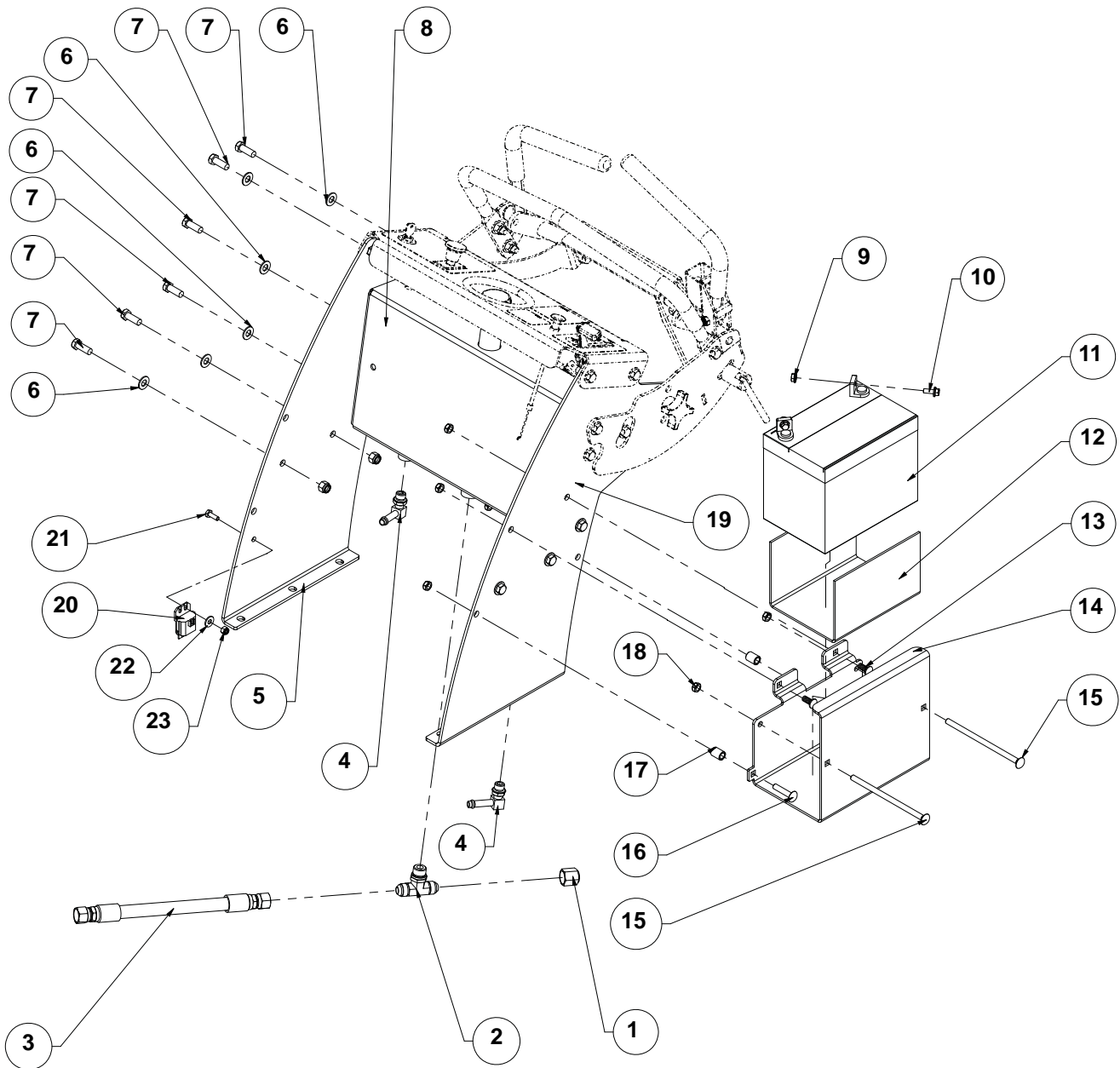
---

Model 988400, 402, 403

ITEM	PART NO	QTY	DESCRIPTION
1	00200464	1	Fitting, 90 BRB-OR
2	00200463	1	Head, Oil Filter
3	GDA10137	1	Filter, Oil
4	00230668	1	Fitting, 90 .75 MOR x .75 MJIC
5	00960045	4	Bolt, .38-16 x .750 Hex 5
6	00960602	4	Washer, .375 Medium Spring Lock
7	00960702	4	Washer, .375 Regular Flat
8	03756651	1	Bracket, Tank Support
9	AA960600	2	Washer, .250 Medium Spring Lock
10	00960001	2	Bolt, 1/4-20 x .750 Hex 5
11	00192126	1	Hose, Fuel .25 x 30.00
12	00130924	1	Clamp, Hose- .50 Spring
13	09112300	1	Fitting, Tank
14	04943561	1	Tank, Fuel with Molded EverRide Decal
15	00181251	1	Cap, Fuel

# UPRIGHT ASSEMBLY

Model 988400, 402, 403



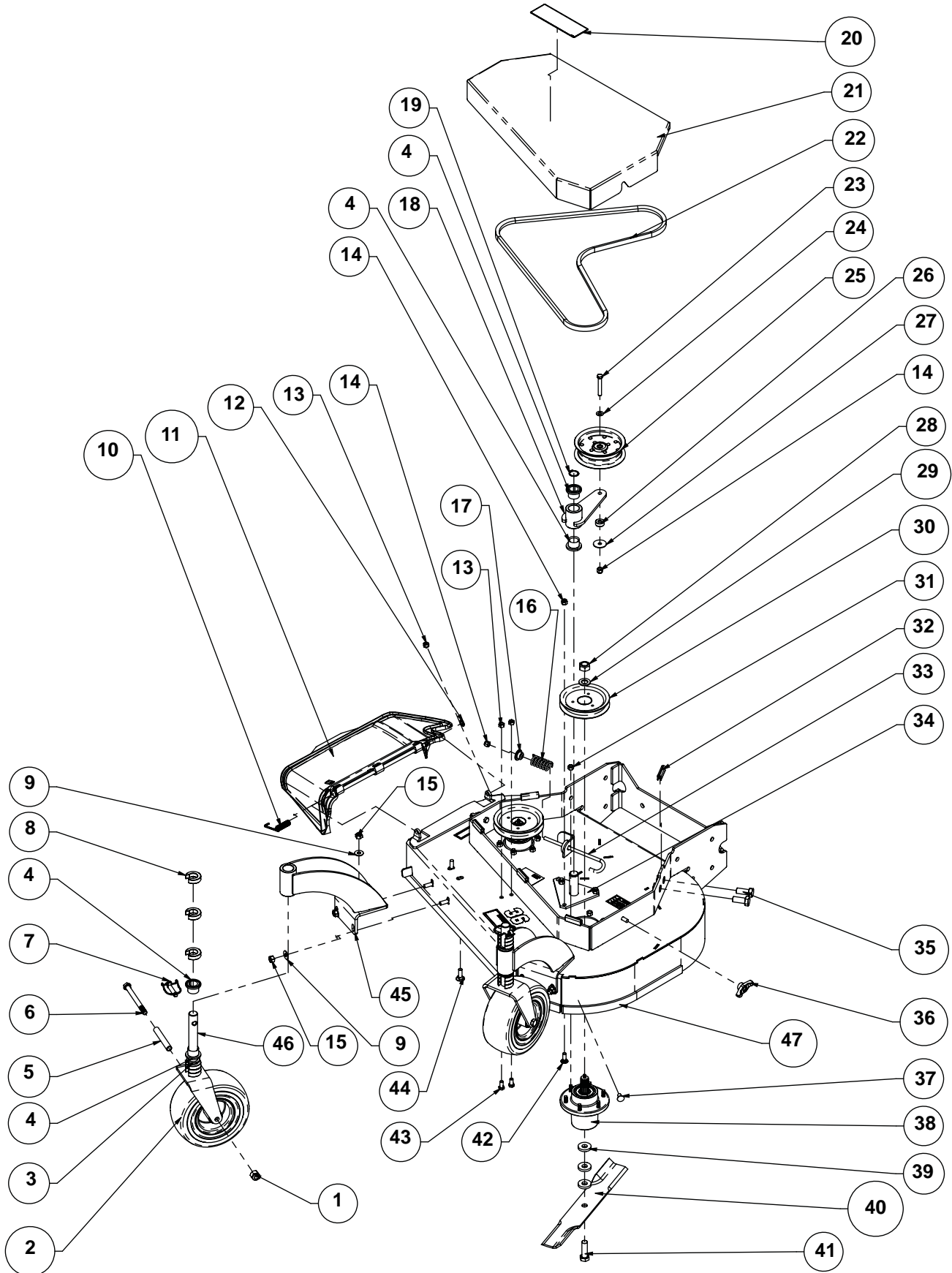
# UPRIGHT ASSEMBLY

Model 988400, 402, 403

ITEM	PART NO	QTY	DESCRIPTION
1	00231281	1	Cap, .75-16 JIC
2	D14199	1	Fitting, TMB JIC
3	D38033	1	Hose, Hydraulic-8-12FJIC 12
4	D27048	2	Fitting, 90 .5625 MOR x .3750 Hose
5	03756551	1	Weldment, Right Hand Handle Tower
6	00964501	25	Washer, .406 x .813 x .065 Flat
7	00960046	18	Bolt, .38-16 x 1.00 Hex 5
8	D35031	1	Weldment, Tank
9	00964040	2	Locknut, .25-20 WHIZ
10	AA963001	2	Bolt, .25-20 x .625 WSH
11	00191832	1	Battery, 12V
12	D28159	1	Strip, Rubber
13	00967152	2	Bolt, .3125-18 x .750 Round Head Square Neck
14	00203873	1	Tray, Battery 1948 Hydro
15	03H1832	2	Bolt, .3125 x 6 Long Neck Round Head D-Z
16	00963075	2	Bolt, .3125-18 x 1.50 Round Head Square Neck
17	00203926	2	Bushing, .364 x .540 x .700
18	00967115	7	Locknut, .3125-18 Nyloc
19	03756451	1	Weldment, Left Hand Handle Tower
20	00200410	1	Module, Electronic (400)
21	00960001	1	Bolt, .25-20 x .750 Hex 5 (400)
22	AA960700	1	Washer, .250 Regular Flat (400)
23	00964048	1	Locknut, .25-20 Nyloc (400)
<b>NOT SHOWN:</b>			
24	03756700	1	Harness, Electric Start Walk (402, 403)
25	03765100	1	Harness, Wire Non Elbow Steel Walk (400)

# 36" DECK ASSEMBLY

Model 988400



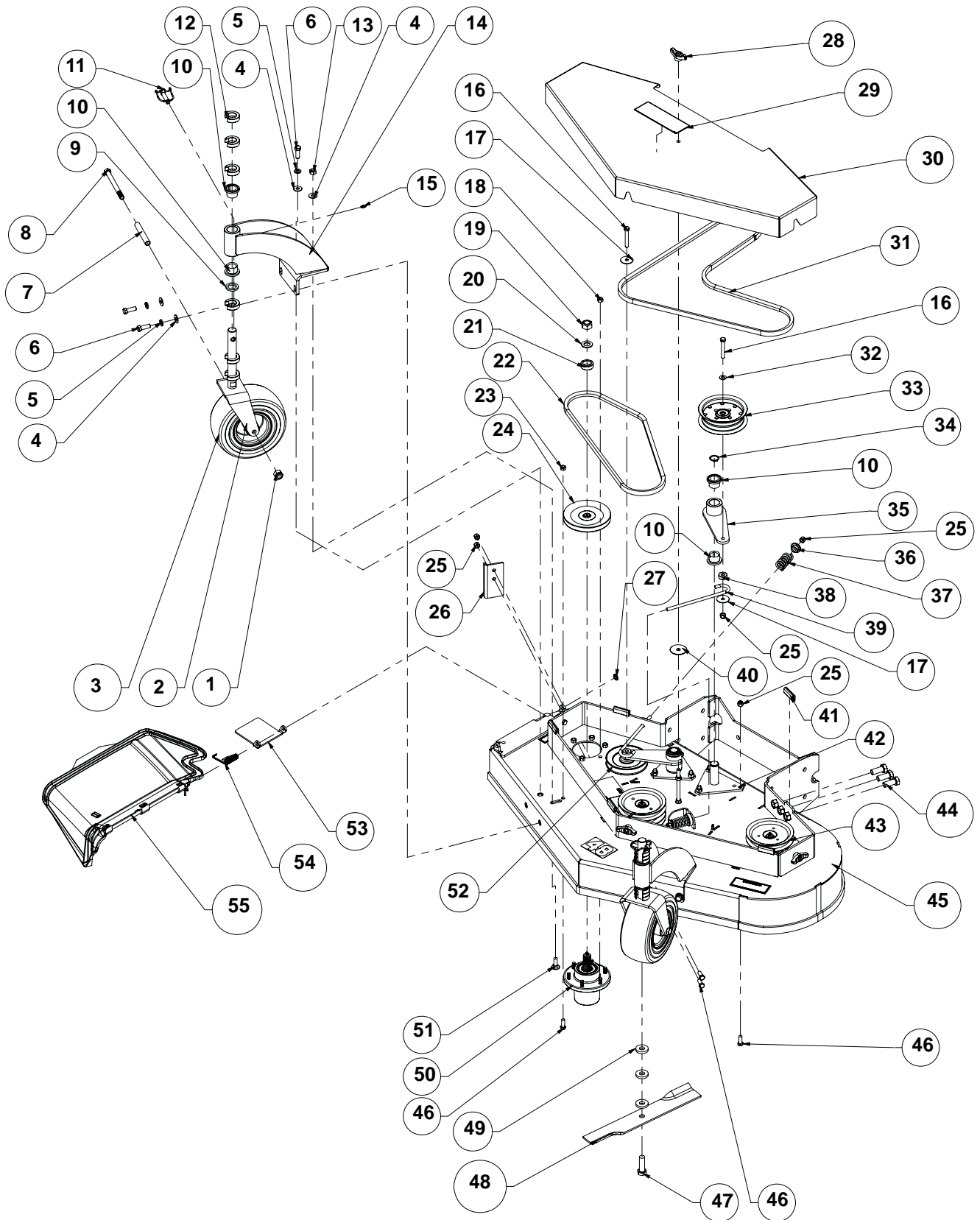
# 36" DECK ASSEMBLY

Model 988400

ITEM	PART NO	QTY	DESCRIPTION
1	00964015	2	Locknut, .50-13 Nyloc
2	07100302	2	Assembly, Wheel and Tire 9 x 3.5
3	D13008	2	Bushing, 1.03 x 1.50 x .179
4	D18076	6	Bearing, Flange 1.00 x 1.25 x 1.00
5	D13003	2	Tube, Caster Axle
6	00960129	2	Bolt, .50-13 x 5.50 Hex 5
7	00161397	2	Pin, LNC .438 x 2.00
8	00164145	12	C-Spacer, 1.00 x 1.77 x .500
9	00960702	8	Washer, .375 Regular Flat
10	03393800	1	Spring, Discharge Chute
11	TCA16387	1	Chute, Discharge Assembly
12	H141123	1	Retainer
13	00964022	3	Locknut, .38-16 Crown
14	00968087	4	Locknut, .38-16 Nyloc
15	00964025	8	Locknut, .4375-14 Crown
16	D38128	1	Spring, COM 1.22 x .162 x 2.50
17	D33062	1	Keeper, Spring
18	D15032	1	Weldment, Idler Arm
19	00424390	1	Snap Ring, 1.00 x .042 External
20	00180954	1	Decal, 9" EverRide Logo
21	00200488	1	Weldment, 36" Deck Shield EverRide
22	D38007	1	Belt, HB 74.3 Elbow AMD OHR
23	00960052	1	Bolt, .38-16 x 2.50 Hex 5
24	00964501	1	Washer, .406 x .813 x .065 Flat
25	D18032	1	Pulley, Flat 5.00X.375 W/BRG
26	D13023	1	Bushing, .380 x 1.00 x .410
27	00964502	1	Washer, .375 x 1.50 x .063 Flat
28	00964024	2	Locknut, .75-16 Crown
29	03399703	2	Washer, .75 x 1.3125 x .120
30	03399702	2	Pulley, Spline Spindle LSE
31	00960502	12	Nut, .38-16 Standard Hex 5
32	00999538	5	Trim, 1/4" Trim-Lok Edge
33	D23040	1	J-Bolt, .38-16 x 7.88
34	00203918	2	Weldment, Idler Pivot Mount
35	05901321	2	Bolt, Hex .6250-11 1.5" Grade 8
36	M119352	2	Knob, .38-16 Insert
37	00963033	1	Bolt, .38-16 x .750 Round Head Square Neck
38	00200262	2	Assembly, Spindle Housing
39	D18055	6	Washer, .630 x 1.50 x .250 Flat
40	GDU10231	2	Blade, 18.000 x .80 Lift
41	00967348	2	Bolt, .625-11 x 2.00 Hex 8
42	00963020	3	Bolt, .38-16 x 1.00 Round Head Square Neck
43	00960045	2	Bolt, .38-16 x .750 Hex 5
44	00963029	8	Bolt, .4375-14 x 1.25 Round Head Square Neck
45	00203856	2	Weldment, Caster Support w/EverRide Paint
46	00200534	2	Weldment, Caster Yoke w/EverRide Paint
47	03751301	1	Assembly, EverRide 36" Deck with Decal

# 48" DECK ASSEMBLY

Model 988403





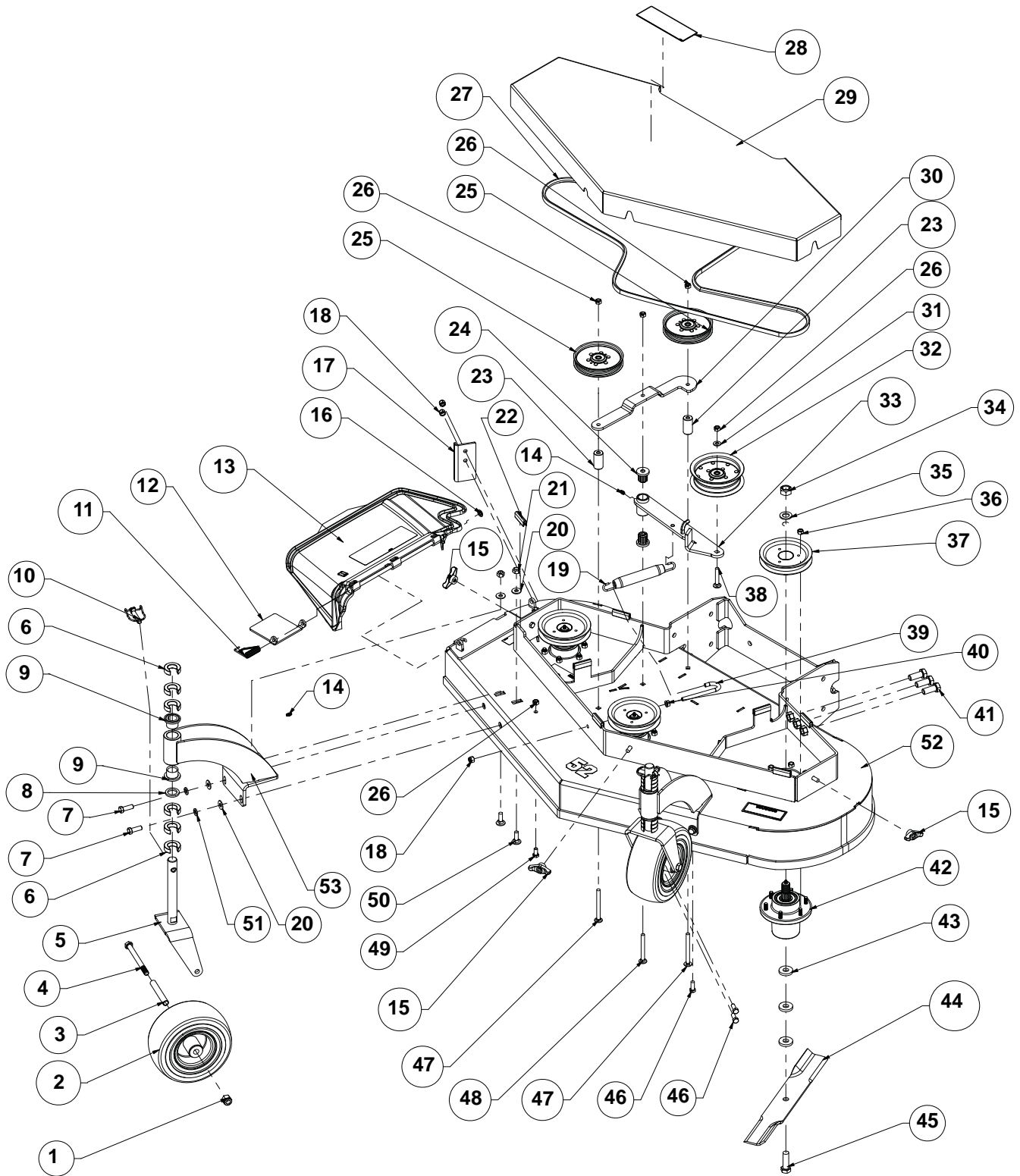
# 48" DECK ASSEMBLY

Model 988403

1	00964015	2	Locknut, .50-13 Nyloc
2	00200534	2	Weldment, Caster Yoke w/EverRide Paint
3	07100302	2	Assembly, Wheel and Tire 9 x 3.5
4	00960702	8	Washer, .375 Regular Flat
5	00960603	5	Washer, .438 Medium Spring Lock
6	00960080	5	Bolt, .4375-14 x 1.25 Hex 5
7	D13003	2	Tube, Caster Axle
8	00960129	2	Bolt, .50-13 x 5.50 Hex 5
9	D13008	2	Bushing, 1.03 x 1.50 x .179
10	D18076	8	Bearing, Flange 1.00 x 1.25 x 1.00
11	00161397	2	Pin, LNC .438 x 2.00
12	00164145	12	C-Spacer, 1.00 x 1.77 x .500
13	00964025	3	Locknut, .4375-14 Crown
14	00203856	2	Weldment, Caster Support w/EverRide Paint
15	00959995	2	Fitting, .25-28 Straight Grease Zerk
16	00960052	2	Bolt, .38-16 x 2.50 Hex 5
17	00964502	2	Washer, .375 x 1.50 x .063 Flat
18	00960502	18	Nut, .38-16 Standard Hex 5
19	00964024	3	Locknut, .75-16 Crown
20	03399703	3	Washer, .75 x 1.3125 x .120
21	D13024	1	Spacer, Spindle Top-Pulley
22	D38019	1	Belt, HB 51.4 Elbow AMD
23	00964022	2	Locknut, .38-16 Crown
24	D18083	2	Pulley, Narrow Spline
25	00968087	13	Locknut, 3/8-16 Nyloc
26	03754061	1	Plate, Extender
27	H141123	1	Retainer
28	M119352	4	Knob, .38-16 Insert
29	00180954	1	Decal, 9" EverRide Logo
30	00200507	1	Weldment, 48" Belt Shield EverRide
31	D18087	1	Belt, HB 77.5 Elbow AMD OHR
32	00964501	2	Washer, .406 x .813 x .065 Flat
33	D18032	1	Pulley, Flat 5.00X.375 W/BRG
34	00424390	2	Snap Ring, 1.00 x .042 External
35	D15032	2	Weldment, Idler Arm
36	D33062	2	Keeper, Spring
37	D38128	2	Spring, COM 1.22 x .162 x 2.50
38	D13023	2	Bushing, .380 x 1.00 x .410
39	D23040	2	J-Bolt, .38-16 x 7.88
40	D24019	1	Washer, .402 x 2.00 x .055
41	00999538	5	Trim, 1/4" Trim-Lok Edge
42	00203918	2	Weldment, Idler Pivot Mount
43	03399702	1	Pulley, Spline Spindle LSE
44	05901321	3	Bolt, Hex .6250-11 1.5" Grade 8
45	03754101	1	48" EverRide Hydro Deck withDecals
46	00960046	10	Bolt, .38-16 x 1.00 Hex 5
47	00967348	3	Bolt, .625-11 x 2.00 Hex 8
48	GDU10230	3	Blade, 16.500 x .80 Lift
49	D18055	9	Washer, .630 x 1.50 x .250 Flat
50	00200262	3	Assembly, Spindle Housing
51	00963029	3	Bolt, .4375-14 x 1.25 Round Head Square Neck
52	D18031	1	Pulley, Idler 5.0 V-GROOVE
53	00200095	1	Bracket, Chute Support 48" Deck
54	03393800	1	Spring, Discharge Chute
55	TCA16387	1	Chute, Discharge Assembly

# 52" DECK ASSEMBLY

Model 988402



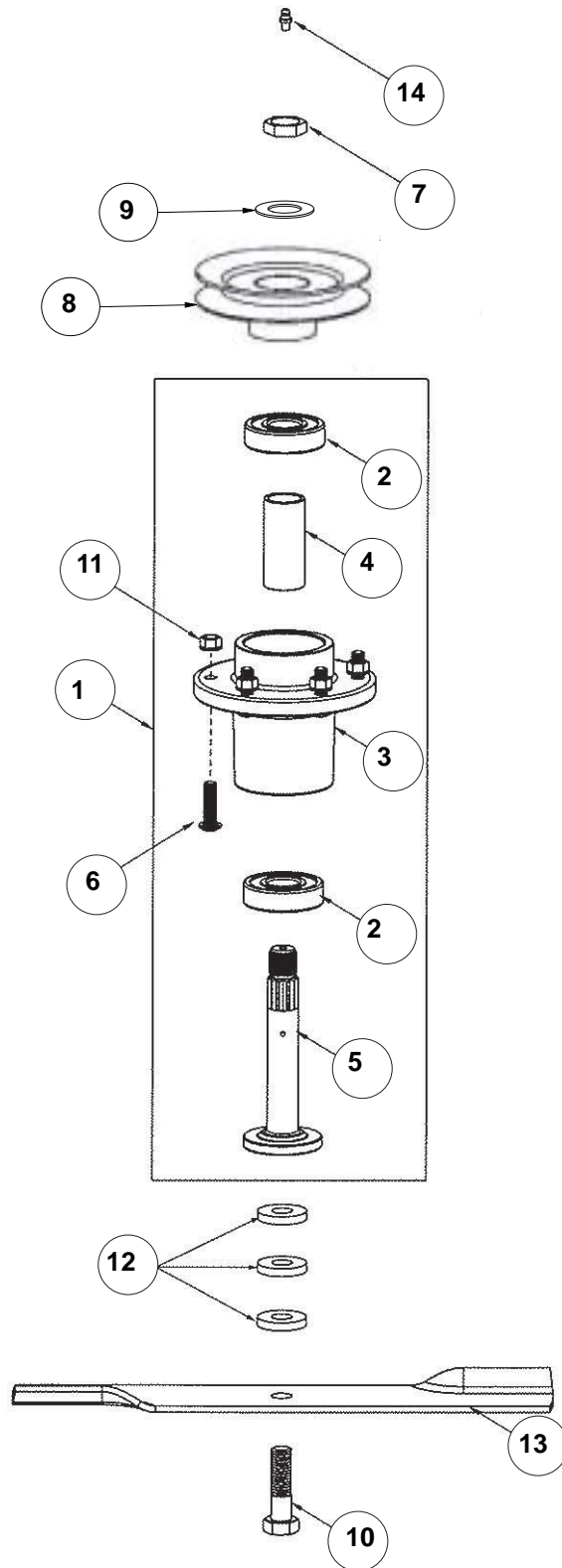
# 52" DECK ASSEMBLY

Model 988402

ITEM	PART NO	QTY	DESCRIPTION
1	00964015	2	Locknut, .50-13 Nyloc
2	07100302	2	Assembly, Wheel and Tire 9 x 3.5
3	D13003	2	Tube, Caster Axle
4	00960129	2	Bolt, .50-13 x 5.50 Hex 5
5	00200534	2	Weldment, Caster Yoke w/EverRide Paint
6	00164145	12	C-Spacer, 1.00 x 1.77 x .500
7	00960080	4	Bolt, .4375-14 x 1.25 Hex 5
8	D13008	2	Bushing, 1.03 x 1.50 x .179
9	D18076	4	Bearing, Flange 1.00 x 1.25 x 1.00
10	00161397	2	Pin, LNC .438 x 2.00
11	03393800	1	Spring, Discharge Chute
12	00200095	1	Bracket, Chute Support
13	TCA16387	1	Chute, Discharge Assembly
14	00959995	3	Fitting, .25-28 Straight Grease Zerk
15	M119352	3	Knob, .38-16 Insert
16	H141123	1	Retainer
17	03754061	1	Plate, Extender
18	00968087	3	Locknut, 3/8-16 Nyloc
19	N242189	1	Spring, External
20	00960702	8	Washer, .375 Regular Flat
21	00964025	4	Locknut, .4375-14 Crown
22	00999538	7	Trim, 1/4" Trim-Lok Edge
23	TCU18742	2	Spacer Assembly
24	TCU14540	2	Bearing, Flange M10 x M25 x M27 Fluted
25	D28050	2	Pulley, Flat Idler
26	00964022	6	Locknut, .38-16 Crown
27	TCU18848	1	Belt, HB 109.3 Elbow AMD
28	05239600	1	Decal, Pro-1952
29	03724161	1	Weldment, 52" Belt Shield EverRide
30	03721451	1	Strap, Idler Pulley Hydro Walk
31	00964501	2	Washer, .406 x .813 x .065 Flat
32	D18032	1	Pulley, Flat 5.00 x .375 w/BRG
33	TCA15346	1	Arm, Idler
34	00964024	3	Locknut, .75-16 Crown
35	03399703	3	Washer, .75 x 1.3125 x .120
36	00960502	18	Nut, .38-16 Standard Hex 5
37	03399702	1	Pulley, Spline Spindle LSE
38	03H1658	1	Bolt, .38-16 x 2.25 Round Head Square Neck
39	D23058	1	J-Bolt, .38-16 x 4.00
40	00964016	1	Locknut, .38-16 Whiz
41	05901321	3	Bolt, Hex .6250-11 1.5" Grade 8
42	00200262	3	Assembly, Spindle Housing
43	D18055	9	Washer, .630 x 1.50 x .250 Flat
44	GDU10231	3	Blade, 18.000 x .80 Lift
45	00967348	3	Bolt, .625-11 x 2.00 Hex 8
46	00960046	3	Bolt, .38-16 x 1.00 Hex 5
47	03H1809	2	Bolt, .3750 x 4 SHTNK Round Head Bolt
48	03H1836	1	Bolt, .38-16 x 3.50 Round Head Square Neck
49	00960045	1	Bolt, .38-16 x .750 Hex 5
50	00963029	4	Bolt, .4375-14 x 1.25 Round Head Square Neck
51	00960603	5	Washer, .438 Medium Spring Lock
52	03758501	1	Assembly, 52" EverRide Deck w/Decals
53	00203856	2	Weldment, Caster Support w/EverRide Paint

# SPINDLE ASSEMBLY

Model 988400, 402, 403



# SPINDLE ASSEMBLY

---

Model 988400, 402, 403

ITEM	PART NO	QTY	DESCRIPTION
1	00200262	1	Spindle Assembly - Includes 2, 3, 4, 5, 6
2	00200046	2	Bearing
3	00200042	1	Casting, Spindle w/Studs
4	00200044	1	Spacer, 1.250 x 1.000 x 2.780 x 2.772
5	00200261	1	Shaft, Spindle
6	00200045	6	Bolt, .38-16 x 1.25 Rib
7	00964024	3	Nut, .75-16 Flange Grade 8
8	N/A	3	Pulley, Cutter Housing - See Mower Assembly
9	03399703	3	Washer, .75 x 1.3125 x .120
10	00967347	3	Bolt, Blade - .625-11 x 2.25 Grade 8
11	00960502	18	Nut, .38-16 Std Hex Grade 5
12	D18055	9	Spacer, Blade Bolt
13	GDU10231	2	18.0" Blade, 36" Deck (400)
	GDU10231	3	18.0" Blade, 52" Deck (403)
	GDU10230	3	16.5" Blade, 48" Deck (402)
14	00200047	1	Zerk, Grease



EverRide  
655 West Ryan Street  
Brillion, WI 54110-1072  
920-756-2141  
Fax 920-756-2407  
[www.everride.com](http://www.everride.com)